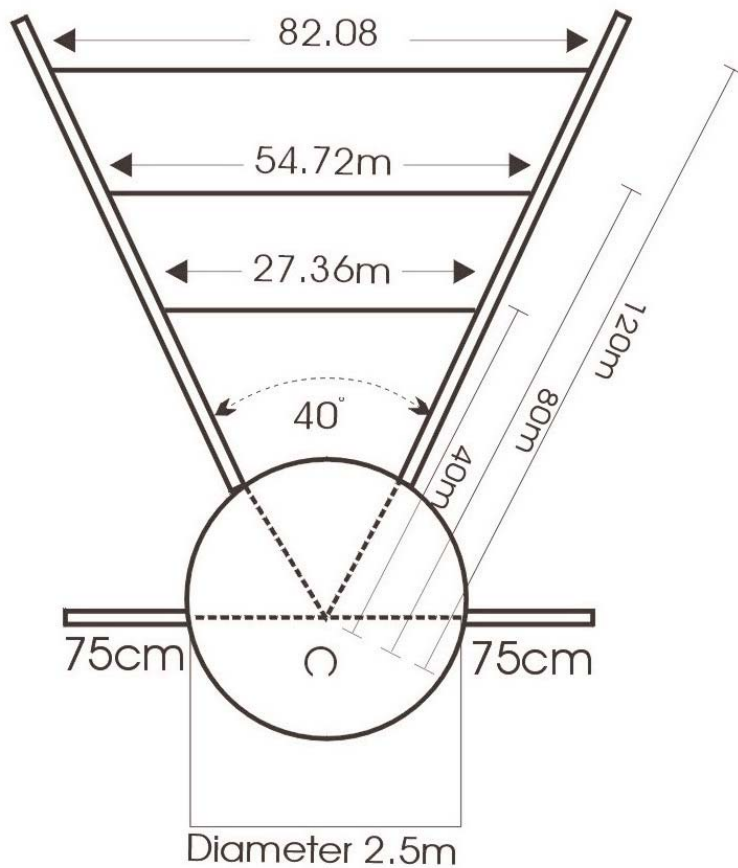


DISCUS



PITCH/MARKING GUIDES

Confining Circle

2.5M (2.7YDS) IN DIAMETER.

Sectors

THE FIRST 40FT SECTOR IS MARKED 40M (43.74YDS) FROM THE CENTRE POINT (C ON DIAGRAM) AND IS EXACTLY 27.36M (29.92YDS) LONG. FROM THE CENTRE POINT TO THE SECOND SECTOR IS 80M (87.49YDS) AND IT IS EXACTLY 54.72M (59.84YDS) LONG, THE THIRD SECTOR POINT IS 120M (131.23YDS) FROM THE CENTRE POINT AND IT IS 82.08M (89.76YDS) LONG. THE OUTER ENDS OF THE SECTOR LINES SHOULD BE MARKED WITH FLAGS.