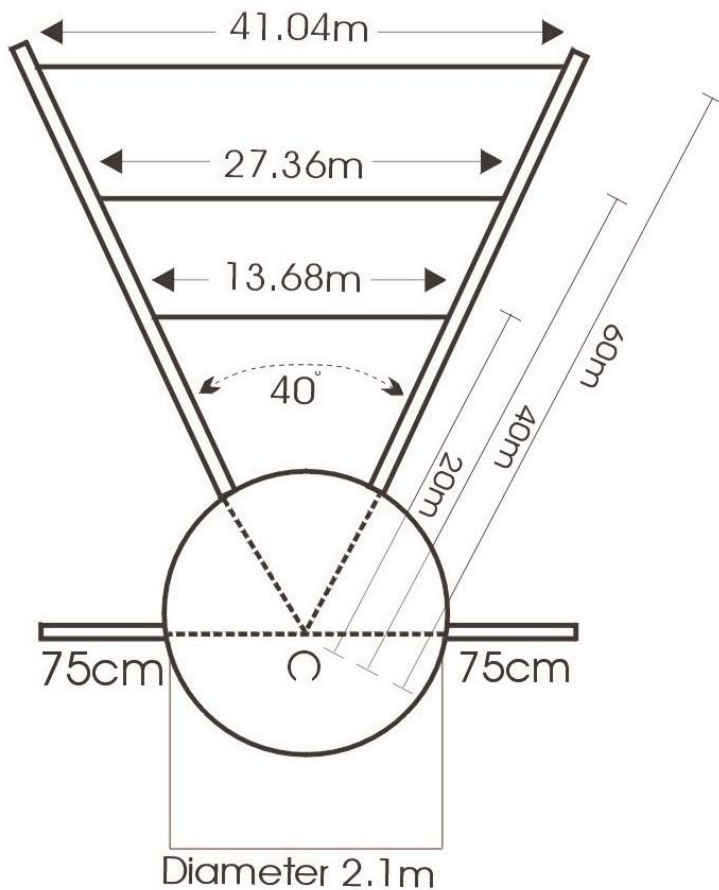


SHOTPUT



PITCH/MARKING GUIDES

Confining Circle

2.1M (2.3YDS) IN DIAMETER.

Sectors

THE FIRST 40FT SECTOR IS MARKED 20M (21.87YDS) FROM THE CENTRE POINT (C ON DIAGRAM) AND IS EXACTLY 13.68M (14.96YDS) LONG. FROM THE CENTRE POINT TO THE SECOND SECTOR IS 40M (43.74YDS) AND IT IS EXACTLY 27.36M (29.92YDS) LONG, THE THIRD SECTOR IS 60M (65.62YDS) FROM THE CENTRE POINT AND IT IS EXACTLY 41.04M (44.88YDS) LONG. THE OUTER ENDS OF THE SECTOR LINES SHOULD BE MARKED WITH FLAGS.